

Transport truck TW 52/100

A rugged, torsion-resistant frame structure of stainless steel profiles. 4 solid rubber wheels, 2 of them lockable, diameter 125 mm with special ball bearings, permanently lubricated and maintenance-free, ensure an absolutely noiseless movement. A stainless steel roller track comprising 5 carrying rollers of corrosion-resistant material and noise-absorbing plastic coating has been arranged on top of the truck. A holding device at the roller track secures the body tray lying on it.

Technical data and dimensions, see back page



Transport truck TW 52/100



Tier fixed unit diameter 200 mm



Tire with break diameter 200 mm

Transport truck TW 52/100

Dimensions W/D/H: 2150 x 540 x 650 mm
Carrying capacity: max. 200 kg
Deadweight: approx. 40 kg
Material: Stainless steel
Type: TW 52/100
Article no.: 050.150.010

Additional model

As above described however
made of steel – grey powder coated

Dimensions W/D/H: 2150 x 540 x 650 mm
Carrying capacity: max. 200 kg
Deadweight: approx. 40 kg
Material: Steel
Type: TW 52/200
Article no.: 050.150.030

Additional wheels diameter = 200 mm

Set consisting of:

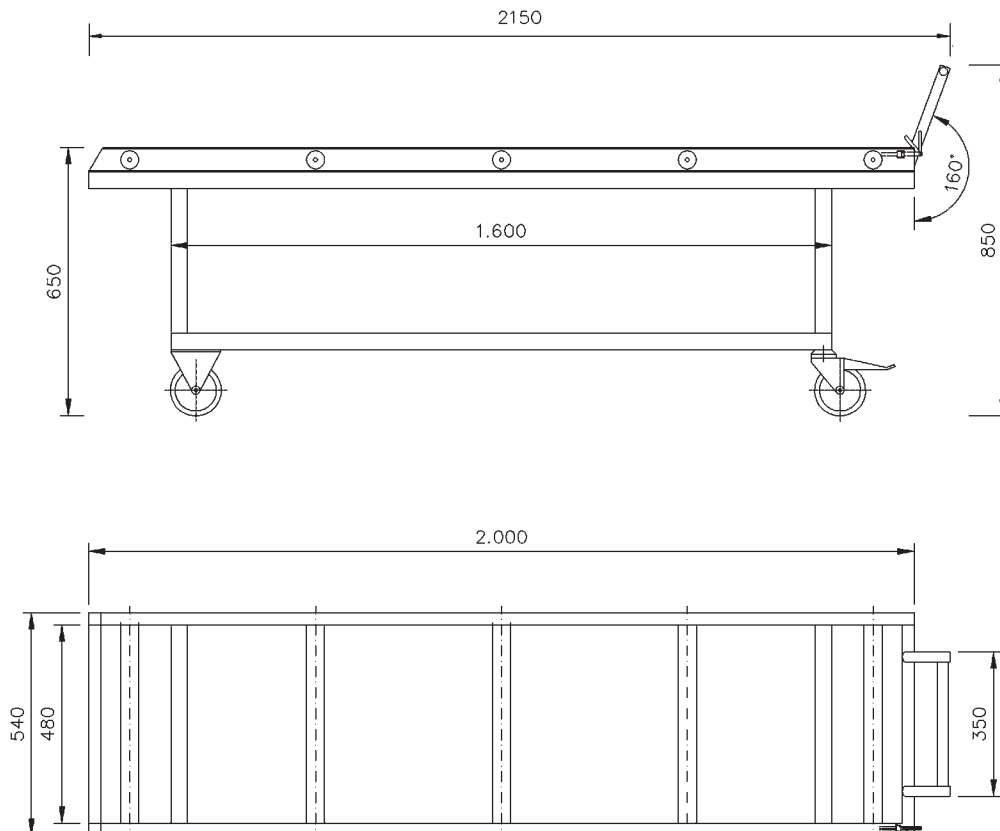
2 pcs. pneumatic wheels with break, wheels with diameter 200 x 50 mm, fit for Transport truck TW 52/...

1 pc. pneumatic wheel without break, wheel with diameter 200 x 50 mm

1 pc. pneumatic wheel with locking device for straight direction, wheel with diameter 200 x 50 mm

Type: LR-Set-200-TW

Article no.: 050.155.160



Subject to technical modifications as required by product improvements (Vers. 1/06/2005).